

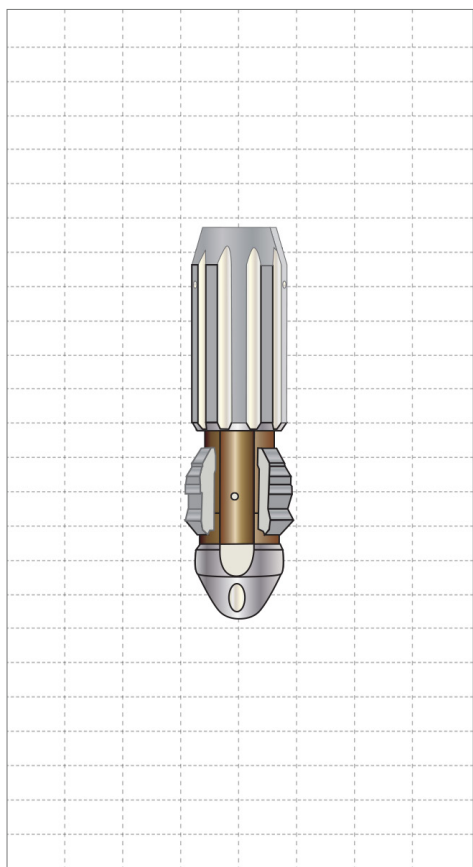
PRECISION MECHANICAL APPLICATIONS

PRECISIONSHIFTER



MAKING INTERVENTION
SMARTER

The **PrecisionShifter** is used in combination with the **PrecisionStroker** for manipulating downward valves and sleeves.



APPLICATIONS

- Downward shifting of fluid isolation valves & sleeves
- Opening of SLB FIV

FEATURES

- Downward only shifting action
- Deployed slick with the shifting dogs retracted into the tool body
- Real-time confirmation of the sleeve/valve movement
- Improved profile engagement through spring loaded dogs (in search mode)
- Combinable with **PowerTrac**® for conveyance

BENEFITS

- Simple and reliable design
- Precise shifting performed by downhole control of stroke position (+/- 1 mm) and force
- Comes in various sizes to meet a range of specific downhole completion geometry

Service Name	PrecisionShifter 225	PrecisionShifter 346	PrecisionShifter 421	PrecisionShifter XR ¹
OD housing / centraliser	2.255 inches / 56.5 mm	3.460 inches / 87.9 mm	4.205 inches / 106.8 mm	4.063 inches / 103.2 mm
Maximum SST dog range	2.950 inches / 74.9 mm	4.2 inches / 106.7 mm	4.861 inches / 123.5 mm	5.10 inches / 130.0 mm
Length	1.4 ft / 0.42 m	1.2 ft / 0.38 m	0.97 ft / 0.3 m	0.97 ft / 0.3 m
Number of shifting dogs	4	5	3	3
Pressure rating	25,000 psi / 1,723 bar			
Temperature rating	177°C / 350°F			
Shifting	Downward only			
Electrical feed through	No	Yes	No	No

¹XR = Extended Range