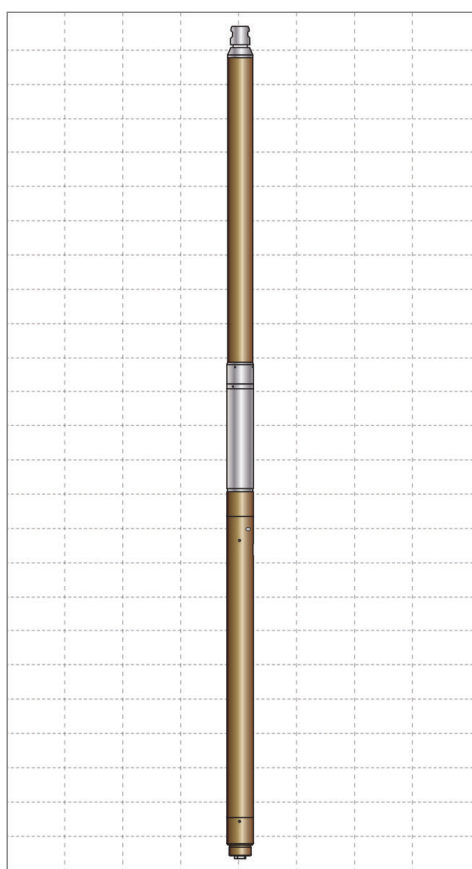


# PRECISION MECHANICAL APPLICATIONS DIRECT DRIVE ROTATION

MAKING INTERVENTION  
**SMARTER**

The Direct Drive Rotation (DDR) is a DC powered tool that provides the rotational torque forces for a wide range of mechanical services. The DDR is run in combination with **PowerTrac®**, which provides the rolling anchor to counter rotational forces, weight on bit and conveyance in deviated wells.



## APPLICATIONS

- Scale milling
- Metal milling
- Glass plug milling
- Brushing
- Honing
- Cutting
- Debris collection

## FEATURES

- Built in electronic protection
- Starts automatically
- Robust design

	<b>DDR 212</b>	<b>DDR 318</b>
<b>Tool body outer diameter</b>	2.500 inches / 63.5 mm	3.125 inches / 79.4mm
<b>Tool length</b>	8.0 ft. / 2.44m	8.7 ft. / 2.65m
<b>Pressure rating</b>	20,000 psi / 1,379 bar	20,000 psi / 1,379 bar
<b>Temperature rating</b>	177 °C/350 °F	177 °C/350 °F
<b>Design torque</b>	≤110 Nm	≤110 Nm